

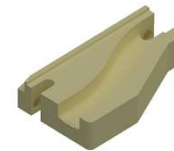
Your value-added aftermarket parts leader for the processing industry



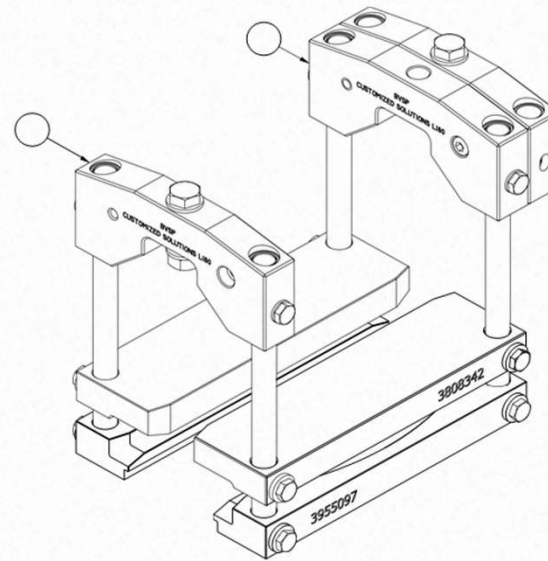
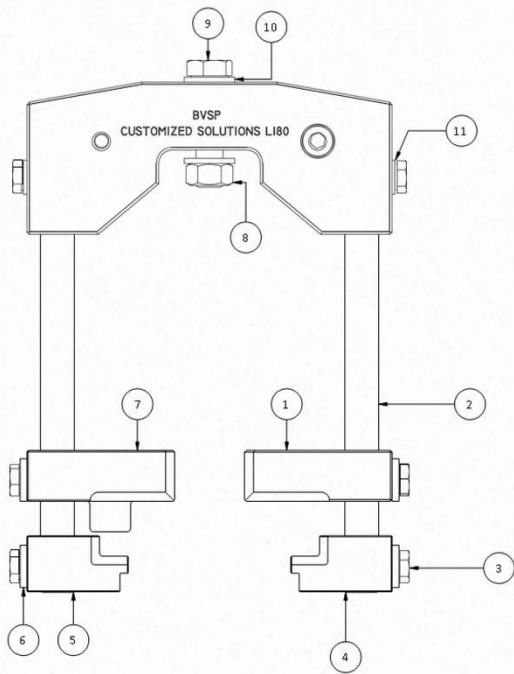
www.bvsp.us



BVSP
BEST VALUE SPARE PARTS

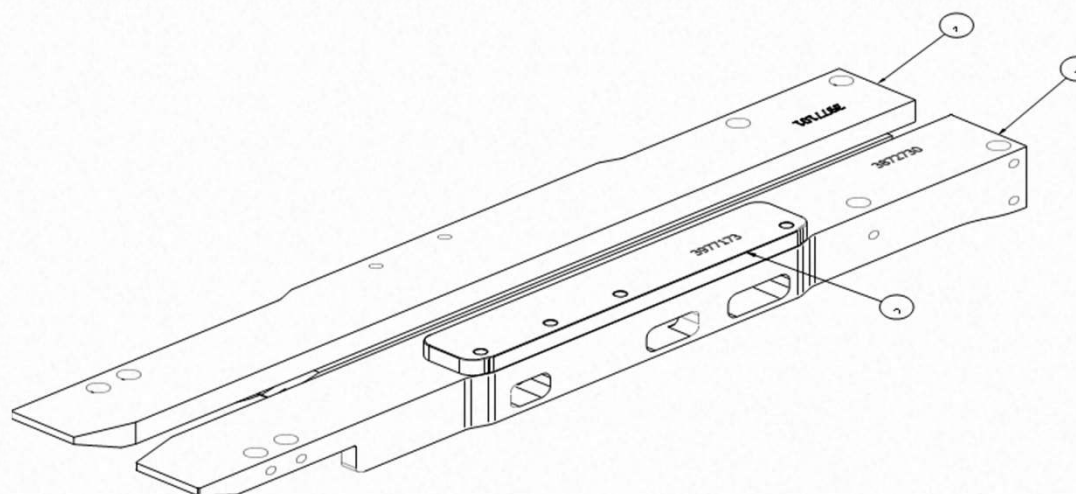


Front Half Fillet -Turn Station 90GR A-B B-C D-A



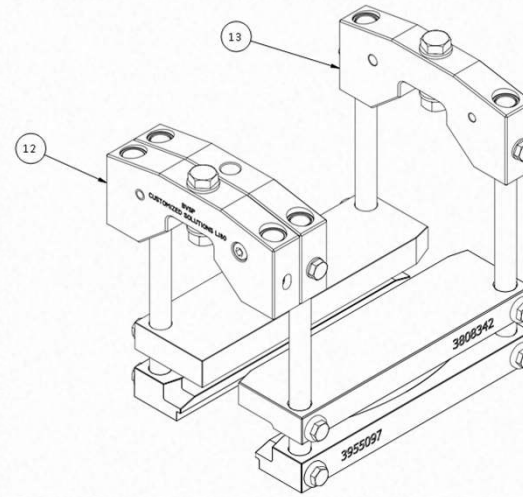
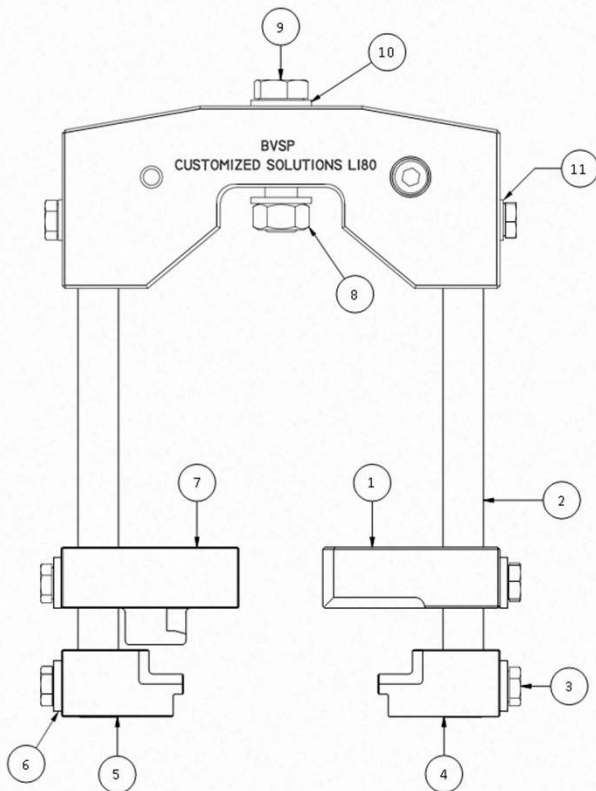
Parts List				
ITEM	QTY	Description	BVSP #	OEM #
1	1	GUIDE	003023	3808342
2	4	STEM	005000048	3977099
3	12	SCREW	100000009	000138239
4	1	GUIDE	003037	3955097
5	1	GUIDE	003036	3955096
6	8	WASHER	102000023	000351156
7	1	GUIDE	003025	3929395
8	2	NUT	101000024	000185074
9	2	SCREW	100000115	100000115
10	4	WASHER	102000027	000350212
11	4	WASHER	102000013	000350209
12	1	SUPORT L180	151000051	151000051
13	1	SUP. L180	151000052	151000052

Front Half Fillet - Correction Station



Parts List				
ITEM	QTY	Description	BVSP #	OEM #
1	1	GUIDE	003058	3977101
2	1	GUIDE	003057	3872730
3	1	INSERT	003055	3977173

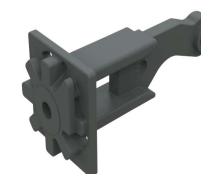
Front Half Fillet - Turn Station 90GR C-D



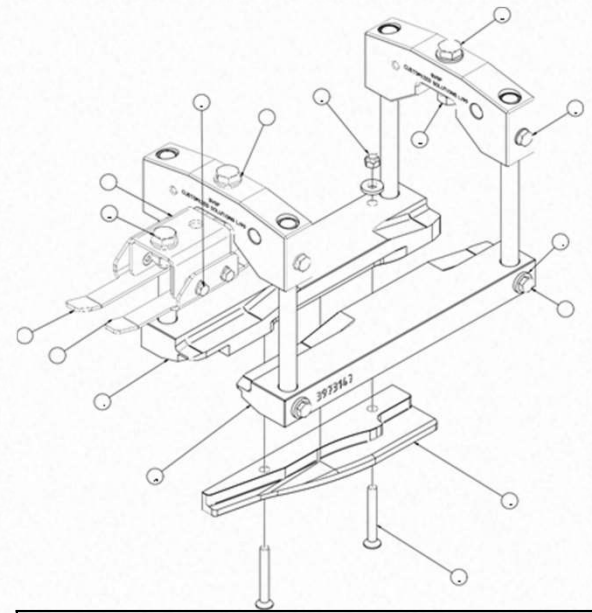
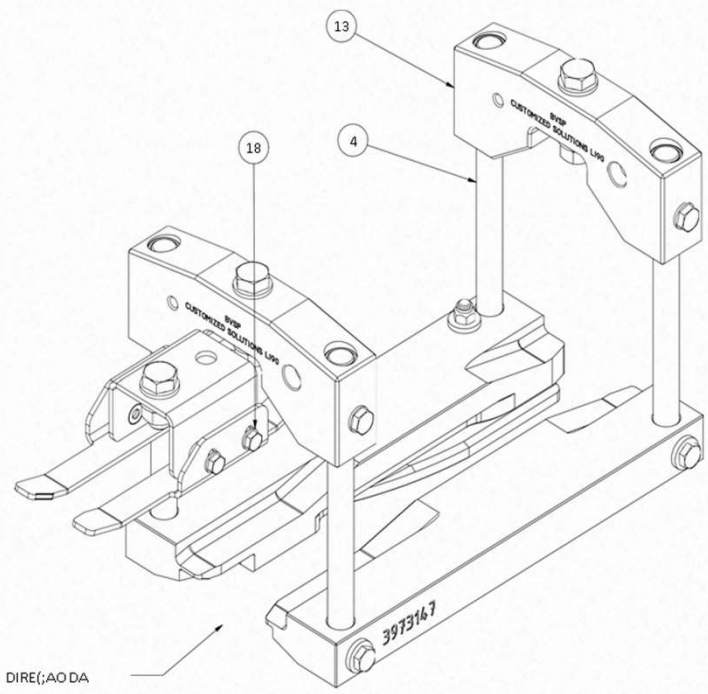
Parts List

ITEM	QTY	Description	BVSP #	OEM #
1	1	GUIDE	003023	3808342
2	4	STEM	005000048	3977099
3	12	SCREW	100000009	000138239
4	1	GUIDE	003037	3955097
5	1	GUIDE	003036	3955096
6	8	WASHER	102000023	000351156
7	1	GUIDE	003027	3930091
8	2	NUT	101000024	000185074
9	2	SCREW	100000115	100000115
10	4	WASHER	102000027	000350212
11	4	WASHER	102000013	000350209
12	1	DBL SUPORT L180	151000052	151000052
13	1	SUPORT L180	151000051	151000051

Front Half Fillet - Product Carrier



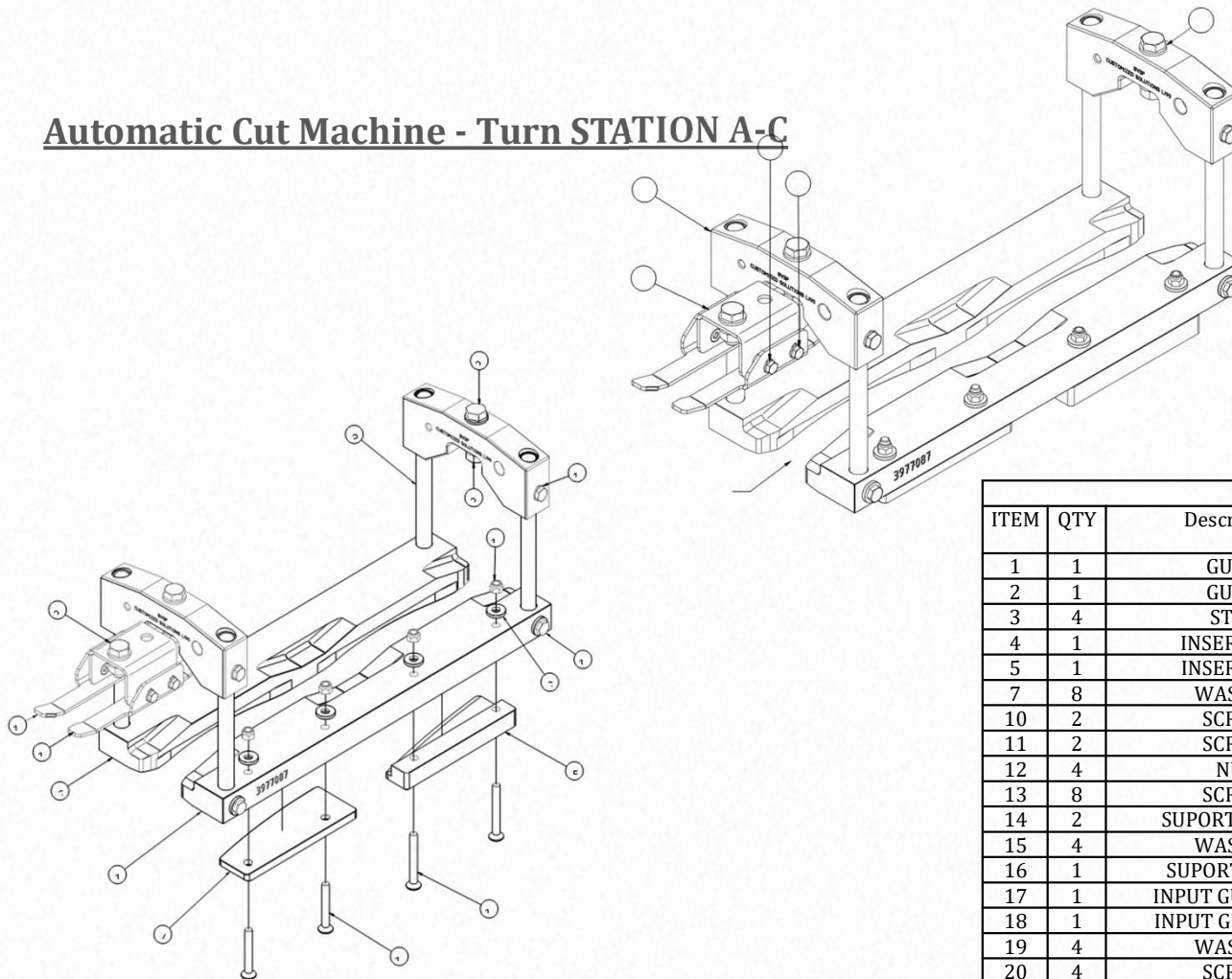
Automatic Cut Machine - Safety Station R-A



Parts List

ITEM	QTY	Description	BVSP #	OEM
1	1	GUIDE	003041	3973147
2	1	GUIDE	003040	3973146
3	1	INSERT	003030	3973148
4	4	STEM	005000036	3972490
6	6	WASHER	102000023	000351156
10	2	SCREW	100000050	000254387
11	2	NUT	101000019	000163351
12	8	SCREW	100000009	000138239
13	2	SUPORT 190mm	151000044	151000044
14	4	WASHER	102000013	000350209
15	1	SUPORT GUIDE	402000019	402000019
16	1	ENTRY GUIDE DIR.	402000015	402000015
17	1	LEFT ENTRY GUIDE ESQ	402000014	402000014
18	4	WASHER	102000012	102000012
19	4	SCREW	100000004	100000004
20	1	SCREW	100000068	100000068
21	6	WASHER	102000027	000350212
22	3	NUT	101000024	000185074
23	2	SCREW	100000115	100000115

Automatic Cut Machine - Turn STATION A-C



Parts List				
ITEM	QTY	Description	BVSP #	OEM #
1	1	GUIDE	003000108	3977087
2	1	GUIDE	003000107	3973412
3	4	STEM	005000036	3972490
4	1	INSERT A>B	003033	3976999-4302756
5	1	INSERT B>C	003000109	3977085
7	8	WASHER	102000023	000351156
10	2	SCREW	100000051	100000051
11	2	SCREW	100000050	000254387
12	4	NUT	101000019	000163351
13	8	SCREW	100000009	000138239
14	2	SUPPORT 190mm	151000044	151000044
15	4	WASHER	102000013	000350209
16	1	SUPPORT GUIDE	402000019	402000019
17	1	INPUT GUIDE DIR.	402000015	402000015
18	1	INPUT GUIDE ESQ	402000014	402000014
19	4	WASHER	102000012	102000012
20	4	SCREW	100000004	100000004
21	1	SCREW	100000068	100000068
22	6	WASHER	102000027	000350212
23	3	NUT	101000024	000185074
24	2	SCREW	100000115	100000115



Please contact us for a complete list of product offerings



Blades



Bearings



Maintenance items

Complete parts solutions for - Cut up / Evisceration/ Fillet lines



vlad@gotsconsulting.com



sales@cooperdistributing.com



sales@bvsp.us